

professional perfection
one80[®]

FEATURING THE REVOLUTIONARY RE-FLEX POINT
REVOLUTION
DARTS
VHD TUNGSTEN





RE-FLEX POINT ADVANTAGES:

- TIGHTER GROUPING OF YOUR DARTS
- GREATLY REDUCED CHANCE OF DARTS "FALLING OUT" OF THE BOARD



- GREATLY REDUCED CHANCE OF BOUNCE OUTS
- A BIG MENTAL CONFIDENCE BOOST

THE RE-FLEX[®] POINT

THE REVOLUTIONARY "REFLEX" POINT FROM ONE80 IS GOING TO RE-DEFINE STEEL TIP DARTS. MEASURING AT ONLY 1.5MM IN DIAMETER, IT IS CONSIDERABLY THINNER THAN STANDARD STEEL TIP POINTS. NOT ONLY DO THE DARTS STICK MUCH MORE SOLIDLY IN THE BOARD THAN STANDARD POINTS, WHICH GREATLY REDUCES THE CHANCE OF A DART "FALLING OUT" OF THE BOARD, BUT DUE TO ITS THIN DIAMETER AND UNIQUE PATENTED CHEMICAL COMPOSITION, IT ALLOWS THE POINT TO BEND (ITS FLEXIBILITY IS THE REVOLUTIONARY ASPECT OF THESE POINTS) IN A SIMILAR WAY TO SOFT TIPS. THIS ENABLES THE DARTS TO LITERALLY BEND AWAY WHEN GROUPED CLOSE TO ANOTHER DART, GREATLY REDUCING

THE CHANCES OF BAD DEFLECTIONS, BOUNCE OUTS, HITTING THE FIRST OR SECOND DART OUT OF THE BOARD, AND THEREFORE ENCOURAGES A MUCH CLOSER GROUPING OF THE DARTS.

APART FROM THE OBVIOUS MECHANICAL ADVANTAGES OF THESE POINTS, THEY WILL ALSO GIVE THE PLAYER A MENTAL BOOST IN CONFIDENCE THAT YOU CAN AIM DIRECTLY AT YOUR FIRST OR SECOND DART, WITH THE CONFIDENCE THAT YOU WILL HAVE A MUCH LESS CHANCE OF GETTING A BAD DEFLECTION, OR HITTING THE TARGET DART OUT OF THE BOARD.

REVENGE

VHD TUNGSTEN
FEATURING THE REVOLUTIONARY RE-FLEX POINT



REASONS WHY THE RE-FLEX[®] POINT IS A REVOLUTION

- > ALWAYS STICKS IN EVEN IN THE HARDEST BOARDS.
- > ALLOWS THE BARREL TO BEND AWAY FROM THE NEXT THROWN DART TO ALLOW EXTREMELY TIGHT GROUPING WITH NO DANGER OF KNOCKING DARTS OUT OF THE BOARD.
- > MINIMUM DEFLECTION OFF DARTS IN BOARD.
- > FORM MEMORY-THE POINT KEEPS ITS ORIGINAL SHAPE DURING NORMAL DARTS USAGE.
- > ONLY 1.5MM DIAMETER

FEATURING THE REVOLUTIONARY RE-FLEX POINT
RE-VOLUTION DARTS
VHD TUNGSTEN



REVENGE

- HIGH QUALITY ONE80 DART SET FLIGHT
- VERY HIGH DENSITY TUNGSTEN ALLOY
- MATCHED WEIGHTED



REVENGE

STEEL TIP
22g



SMOOTH TRANSITION
SMOOTH TRANSITION FROM BARREL TO POINT

The dart utilises the new innovative design produced by One80, comprising of the 1.5mm diameter Re-flex point. This allows room for an inverse curve on the taper to fit the leading finger. The shark tooth rings at the front of the barrel enhance the feeling of security for the players.

WEIGHT(G)	20	21/22	23/24	25/26
DIAMETER MAX.(MM)	6.35	6.35	6.35	6.65
LENGTH(MM)	50	52	55	55

FEATURING THE REVOLUTIONARY RE-FLEX POINT

VHD TUNGSTEN

RECHARGE



REASONS WHY THE RE-FLEX[®] POINT IS A REVOLUTION

- > ALWAYS STICKS IN EVEN IN THE HARDEST BOARDS.
- > ALLOWS THE BARREL TO BEND AWAY FROM THE NEXT THROWN DART TO ALLOW EXTREMELY TIGHT GROUPING WITH NO DANGER OF KNOCKING DARTS OUT OF THE BOARD.
- > MINIMUM DEFLECTION OFF DARTS IN BOARD.
- > FORM MEMORY-THE POINT KEEPS ITS ORIGINAL SHAPE DURING NORMAL DARTS USAGE.
- > ONLY 1.5MM DIAMETER



FEATURING THE REVOLUTIONARY RE-FLEX POINT
RE-VOLUTION DARTS
VHD TUNGSTEN

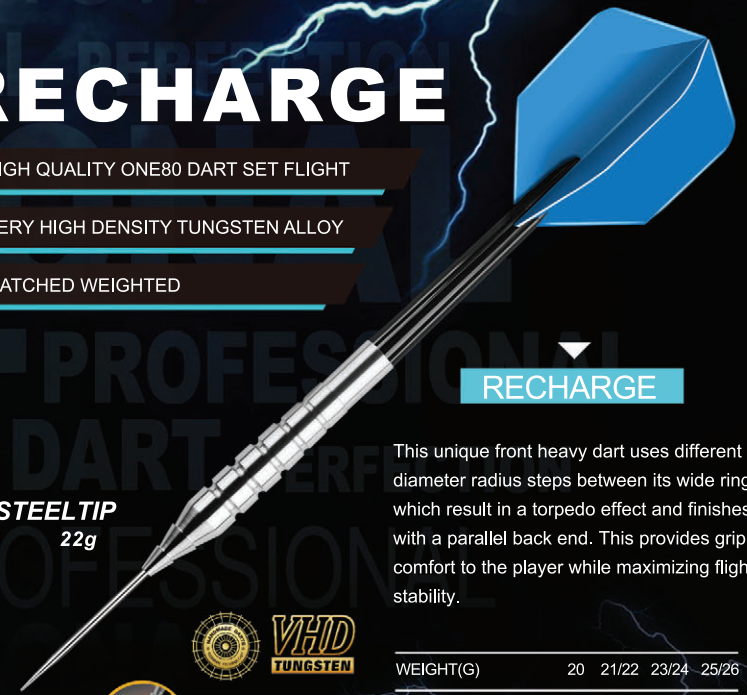


RECHARGE

- HIGH QUALITY ONE80 DART SET FLIGHT
- VERY HIGH DENSITY TUNGSTEN ALLOY
- MATCHED WEIGHTED

RECHARGE

STEEL TIP
22g



This unique front heavy dart uses different diameter radius steps between its wide rings which result in a torpedo effect and finishes with a parallel back end. This provides grip comfort to the player while maximizing flight stability.

WEIGHT(G)	20	21/22	23/24	25/26
DIAMETER MAX.(MM)	7.14	7.14	7.14	7.14
LENGTH(MM)	46	49	52	55

RECTIFIER

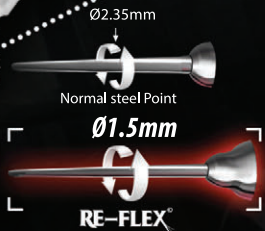
VHD TUNGSTEN

FEATURING THE REVOLUTIONARY RE-FLEX POINT



REASONS WHY THE RE-FLEX[®] POINT IS A REVOLUTION

- > ALWAYS STICKS IN EVEN IN THE HARDEST BOARDS.
- > ALLOWS THE BARREL TO BEND AWAY FROM THE NEXT THROWN DART TO ALLOW EXTREMELY TIGHT GROUPING WITH NO DANGER OF KNOCKING DARTS OUT OF THE BOARD.
- > MINIMUM DEFLECTION OFF DARTS IN BOARD.
- > FORM MEMORY-THE POINT KEEPS ITS ORIGINAL SHAPE DURING NORMAL DARTS USAGE.
- > ONLY 1.5MM DIAMETER



FEATURING THE REVOLUTIONARY RE-FLEX POINT
REVOLUTION DARTS
VHD TUNGSTEN

DARTS
one80



RECTIFIER

- HIGH QUALITY ONE80 DART SET FLIGHT
- VERY HIGH DENSITY TUNGSTEN ALLOY
- MATCHED WEIGHTED

RECTIFIER

This dart allows a consistent accurate placement of the fingers with a surface shaped to fit the finger tips, enabling acceleration without the players grip tightening on the dart. The curved front end minimizes the deflection of the darts and results in close grouping.

STEEL TIP
22g



SMOOTH TRANSITION
SMOOTH TRANSITION FROM BARREL TO POINT



WEIGHT(G)	20	21/22	23/24	25/26
DIAMETER MAX.(MM)	5,65	6	6,35	6,65
LENGTH(MM)	55	55	54	53,5

VHD TUNGSTEN
FEATURING THE REVOLUTIONARY RE-FLEX POINT

REBEL



REASONS WHY THE RE-FLEX POINT IS A REVOLUTION

- > ALWAYS STICKS IN EVEN IN THE HARDEST BOARDS.
- > ALLOWS THE BARREL TO BEND AWAY FROM THE NEXT THROWN DART TO ALLOW EXTREMELY TIGHT GROUPING WITH NO DANGER OF KNOCKING DARTS OUT OF THE BOARD.
- > MINIMUM DEFLECTION OFF DARTS IN BOARD.
- > FORM MEMORY-THE POINT KEEPS ITS ORIGINAL SHAPE DURING NORMAL DARTS USAGE.
- > ONLY 1.5MM DIAMETER



FEATURING THE REVOLUTIONARY RE-FLEX POINT
RE-REVOLUTION DARTS
VHD TUNGSTEN



REBEL

- HIGH QUALITY ONE80 DART SET FLIGHT
- VERY HIGH DENSITY TUNGSTEN ALLOY
- MATCHED WEIGHTED

STEEL TIP
22g



REBEL

This is a classic multi-ringed long parallel 1/4" dart. The simple uniform grip along the barrel suits a wide variety of styles. The classical parallel shape dart allows tight grouping and with the Re-Flex point guarantees a minimum number of bounce outs.



WEIGHT(G)	20	21/22	23/24	25/26
DIAMETER MAX.(MM)	6.3	6.3	6.35	6.65
LENGTH(MM)	48	52	54	54

REFLUX

VHD TUNGSTEN
FEATURING THE REVOLUTIONARY RE-FLEX POINT



REASONS WHY THE RE-FLEX[®] POINT IS A REVOLUTION

- > ALWAYS STICKS IN EVEN IN THE HARDEST BOARDS.
- > ALLOWS THE BARREL TO BEND AWAY FROM THE NEXT THROWN DART TO ALLOW EXTREMELY TIGHT GROUPING WITH NO DANGER OF KNOCKING DARTS OUT OF THE BOARD.
- > MINIMUM DEFLECTION OFF DARTS IN BOARD.
- > FORM MEMORY-THE POINT KEEPS ITS ORIGINAL SHAPE DURING NORMAL DARTS USAGE.
- > ONLY 1.5MM DIAMETER



FEATURING THE REVOLUTIONARY RE-FLEX POINT
REFLUX
VHD TUNGSTEN DARTS

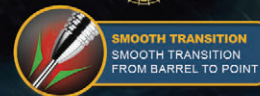
DARTS
one80



REFLUX

- HIGH QUALITY ONE80 DART SET FLIGHT
- VERY HIGH DENSITY TUNGSTEN ALLOY
- MATCHED WEIGHTED

STEEL TIP
22g



REFLUX

This is our latest high-tech Tungsten dart and features a special "rippling" finish at the back to give a soft grip feeling without any danger of the finger "sticking" to the dart. The special front loaded shape provides flight stability to the dart player.

WEIGHT(G)	20	21/22	23/24	25/26
DIAMETER MAX.(MM)	7.14	7.14	7.14	7.5
LENGTH(MM)	46.5	49.5	55.5	52.8

REACTIVE

VHD TUNGSTEN



Reflex point



REASONS WHY THE RE-FLEX[®] POINT IS A REVOLUTION

- > ALWAYS STICKS IN EVEN IN THE HARDEST BOARDS.
- > ALLOWS THE BARREL TO BEND AWAY FROM THE NEXT THROWN DART TO ALLOW EXTREMELY TIGHT GROUPING WITH NO DANGER OF KNOCKING DARTS OUT OF THE BOARD.
- > MINIMUM DEFLECTION OFF DARTS IN BOARD.
- > FORM MEMORY-THE POINT KEEPS ITS ORIGINAL SHAPE DURING NORMAL DARTS USAGE.
- > ONLY 1.5MM DIAMETER

FEATURING THE REVOLUTIONARY RE-FLEX POINT
RE-VOLUTION DARTS
VHD TUNGSTEN



REACTIVE

- HIGH QUALITY ONE80 DART SET FLIGHT
- VERY HIGH DENSITY TUNGSTEN ALLOY
- MATCHED WEIGHTED

STEEL TIP
22g



SMOOTH TRANSITION
SMOOTH TRANSITION
FROM BARREL TO POINT

The design is based on the legendary 5/16" symmetric aerofoil dart. Its compactness and aerodynamic shape enhances flight stability. The sophisticated grip rings on the slope of the dart provide extra grip and security to the player.

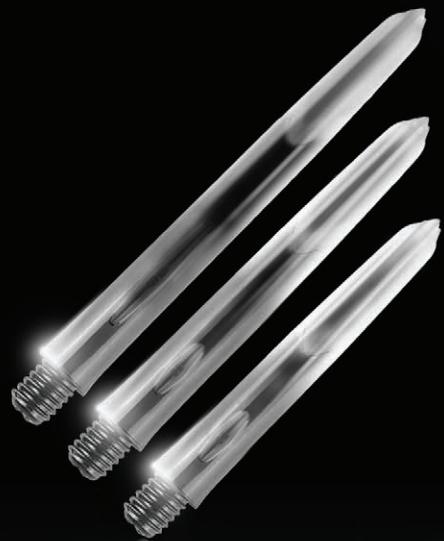
WEIGHT(G)	20	21/22	23/24	25/26
DIAMETER MAX.(MM)	7.94	7.94	7.94	7.94
LENGTH(MM)	38	41	41	44

DARTS
one80

REACTIVE

GRADIENT

S H A F T S



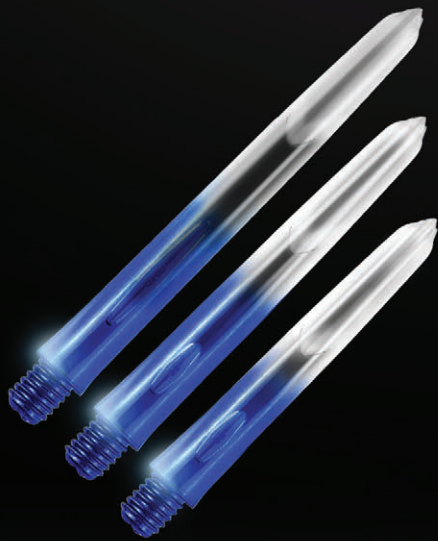
GRADIENT GREY

CODE	SIZE(mm)
O2135	48
O2135	41
O2135	35



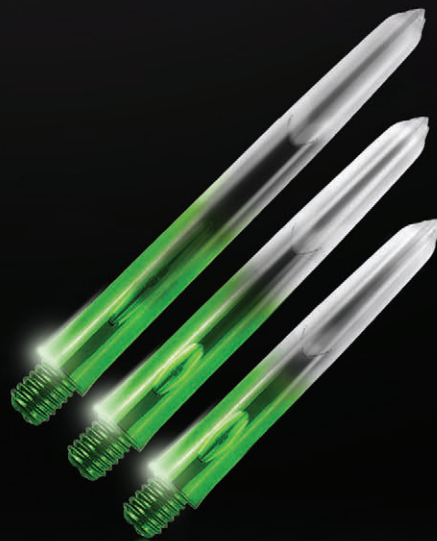
GRADIENT RED

CODE	SIZE(mm)
O2136	48
O2136	41
O2136	35



GRADIENT BLUE

CODE	SIZE(mm)
O2137	48
O2137	41
O2137	35



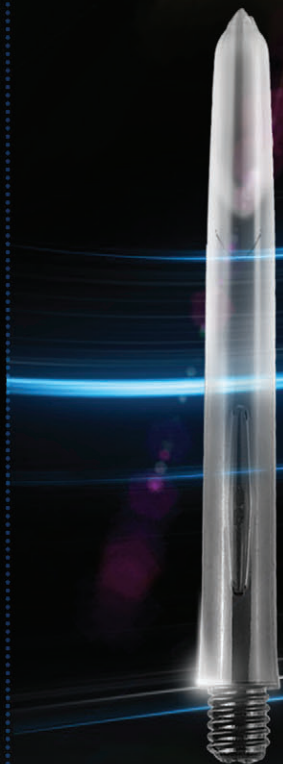
GRADIENT GREEN

CODE	SIZE(mm)
O2138	48
O2138	41
O2138	35



GRADIENT PINK

CODE	SIZE(mm)
O2139	48
O2139	41
O2139	35



GRADIENT

S H A F T S

RE-FLEX[®] CONVERSION POINT

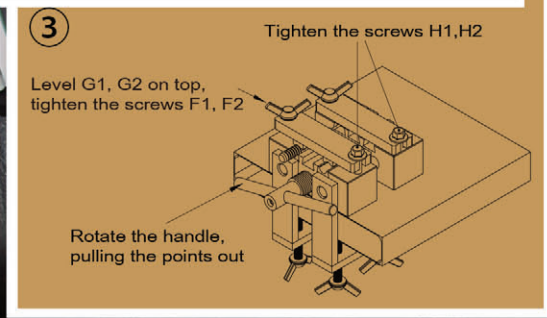
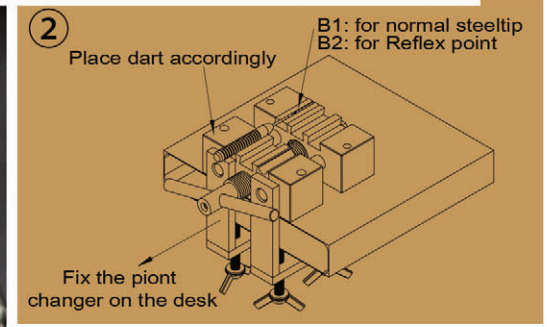
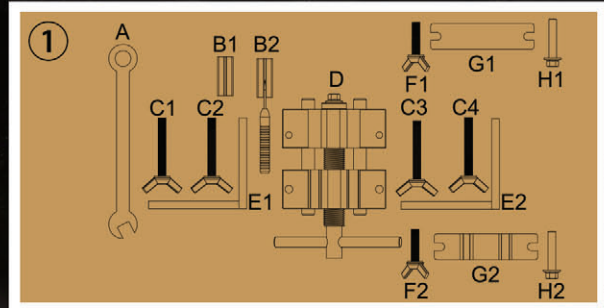
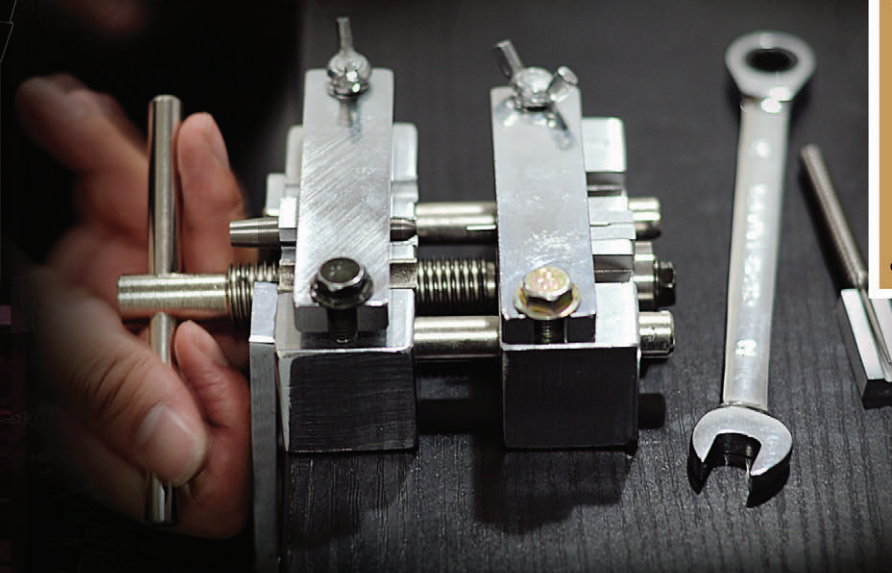
6 DIFFERENT DESIGNS FOR PLAYERS

- ALWAYS STICKS IN EVEN IN THE HARDEST BOARDS.
- ALLOWS THE BARREL TO BEND AWAY FROM THE NEXT THROWN DART TO ALLOW EXTREMELY TIGHT GROUPING WITH NO DANGER OF KNOCKING DARTS OUT OF THE BOARD.



- MINIMUM DEFLECTION OFF DARTS IN BOARD.
- FORM MEMORY - THEY STAY STRAIGHT, STRAIGHT BY NORMAL DART USAGE
- INDESTRUCTABLE - THEY NEVER BREAK.
- ONLY 1.5MM DIAMETER

POINT CHANGER





FEATURING THE REVOLUTIONARY RE-FLEX POINT
REEVOLUTION
DARTS
VHD TUNGSTEN

professional perfection
one80



WWW.ONEBODART.COM